

Wireless Synchronized Time

CompuSync

NTP Time Synchronization System



Achieve a higher standard of time consistency by synchronizing your network with Primex clocks and timers. The CompuSync NTP time system is available in two configurations to meet the needs of your facility. CompuSync can be used in conjunction with Primex transmitters to keep all the clocks, bells and other timing mechanisms perfectly synchronized with devices on the network. Alternatively, it can also be configured as a NIST*-traceable standalone application solely for computer networks. CompuSync provides multi-platform operating system compatibility and the convenience of easy installation.

GPS-TRACEABLE COMPUSYNC SYSTEM

Synchronizes the clocks on your computers to the Primex GPS clocks on the walls. Integrates seamlessly with a Primex transmitter and accessories.

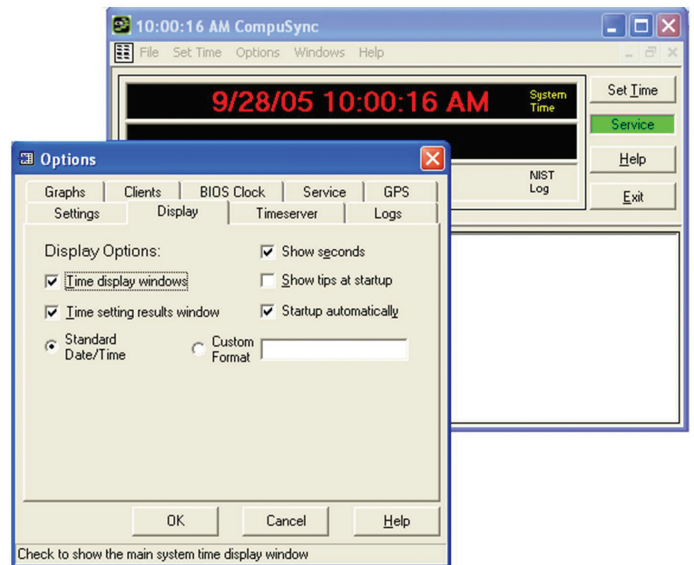


GPS-TRACEABLE SYSTEM	
Part No.	Description
XR342	Includes CompuSync Receiver and CompuSync Software

NIST-TRACEABLE COMPUSYNC SYSTEM

Stratum 1** network time server provides NIST-traceable time. Functions independently of a Primex transmitter.

NIST-TRACEABLE SYSTEM	
Part No.	Description
14341	Includes GPS Receiver and CompuSync Software



CompuSync Software

CompuSync Receiver



GPS Receiver

COMPUSYNC SPECIFICATIONS:

CompuSync Software

- Makes correct time available over the network using Network Time Protocol (NTP)
- Installs easily on a Windows PC: 98, NT 4.0, 2000, XP, Vista, Server 2000, Server 2003, Windows 7
- Compatible with Windows, Linux, Novell Netware and Mac clients via NTP

GPS-Traceable System

- Includes CompuSync Receiver and CompuSync Software
- Integrates with Primex transmitter and accessories

CompuSync Receiver (refer to Figure 1)

- Dimensions: 5.8"L (14.73cm) x 4.3"W (10.92cm) x 1.3"D (3.30cm)
- Antenna: 11.5"L (29.21cm)
- 5' (1.52m) RS232 data cable attached
- Power supply:
 - Input: 120 VAC 50/60 Hz
 - Output: 9 VDC 1.6 Amp
- (6' (1.83m) cord)

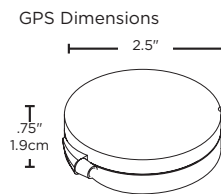
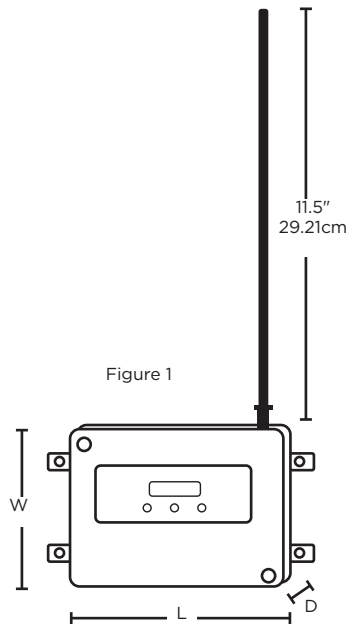
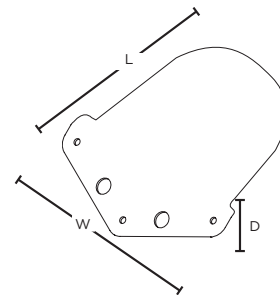


Figure 2



NIST-Traceable System

- Includes GPS Receiver and CompuSync Software
- Functions independent of the Primex transmitter
- Synchronizes client computers typically to +/- 0.02 seconds

GPS Receiver (refer to Figure 2)

- Bracket Dimensions:
 - 4.2"L (10.67cm) x 3.9"W (9.91cm) x 2.0"D (5.08cm)
- Mounting bracket and hardware included
- Operating Range: -22° - 176°F (-30° - 80°C)
- Connects to computer's serial port

To Learn More:
Call 800.537.0464
Email: info@primexinc.com
primexinc.com

©2016 Primex. The Primex logo is a registered trademark of Primex.
All Rights Reserved. 12.16

*NIST is the National Institute of Standards in Technology which is overseen by the U.S. Department of Commerce. These standards promote U.S. innovation and industrial competitiveness by advancing measurement science, standards, and technology in ways that enhance economic security and improve our quality of life. To find out more about NIST visit: <https://www.nist.gov/>

**Stratum 1 is defined as a completely autonomous source of timing which has no other input, other than a yearly calibration.