



# Levo Series

## Digital Digital Elapsed Timers

Elapsed Timers give you the ability to track how much time has passed in a variety of situations. They are ideal for use in a healthcare setting to display the time elapsed during critical procedures, or in the classroom to show students how much time is left during exams. Our Levo Series Elapsed Timers synchronize with all other clocks on your Primex system, and display the correct time when not in timer mode.

## Levo Series Elapsed Timers

Choose the Elapsed Timer to count up or count down to a maximum of 99 hours, 59 minutes and 59 seconds as needed. The Switch Control provides the ability to select Run, Hold or Reset the timer functions quickly and easily.

### LEVO SERIES SURFACE-MOUNT TIMERS WITH 2.5" DIGITS

6-Digit	Description
XRA7A202E	4" Slope bracket, 120 VAC, 10' (3.0m) cord with plug
XRA2Y202E	4" Slope bracket, 24 VAC, 10" (25cm) cord with pigtail

### LEVO SERIES SURFACE-MOUNT TIMERS WITH 4" DIGITS

6-Digits	Description
XRA7A203E	4" Slope bracket, 120 VAC, 10' (3.0m) cord with plug
XRA2Y203E	4" Slope bracket, 24 VAC, 10" (25cm) cord with pigtail

### LEVO SERIES FLUSH-MOUNT TIMERS WITH 2.5" DIGITS

6-Digits	Description
XRA7Y202EF-1	120 VAC, 30" (76cm) cord with pigtail
XRA2Y202EF	24 VAC, 10" (25cm) cord with pigtail

\* Add a "G" after the item number for green LED models  
Example: XRA7A202EG OR XRA7Y202EG-1

## DUAL CLOCK BRACKET KIT

Two surface-mount digital clocks can be mounted back-to-back to provide greater visibility in hallways and larger areas. Select the correct Dual Clock Bracket Kit for your application below.

### DUAL CLOCK BRACKET KIT

Mount	2", 4-Digit	2", 6-Digit	4", 4-Digit	4", 6-Digit
Ceiling	24CBRK	26CBRK	4XBRK	4XBRK
Wall	24WBRK	26WBRK	4XBRK	NA

\* 4", 6-digit clocks cannot be dual-mounted to the wall.

\* Add a "G" after the item number for green LED models  
Example: XRA7A202G OR XRA7Y202G-1

## Product Features:

- Available in 120 VAC or 24 VAC input
- Highly visible, 6-digit, 7-segment, LED digits
- Three display dimmer options: 75%, 50% and 25%
- Includes Switch Control with 14' (4.27m) cable
- Available with red or green digits\*



Surface-Mount Timer



Flush-Mount Timer  
Includes clock, junction box and face plate.



Wall Mount Timer



Ceiling Mount Timer

## DIGITAL TIMER SPECIFICATIONS:

- 7-segment LED digits
- 12- or 24-hour time display
- PM indicator light
- Alternating time and date display option
- LED dimmer option (75%, 50%, 25%)
- Operating temperature range: 32°-194°F (0°-35°C)
- Storage temperature range: -20°-185°F (-29°-85°C)

### Power Supplies

- 120 VAC (100-240)/ 50-60 cycle, 10' (3.0m) cord with plug, UL/cUL listed
- 24 VAC (18-28), 10" (25cm) cord with pigtail

### Audible Tone Option

- Only on the count-up and count-down timer function
- Frequency: 3KHz +/-0.5KHz

## SWITCH CONTROL FOR ELAPSED TIMERS SPECIFICATIONS:

- Allows the user to run, hold or reset the Elapsed Timer
- Designed to fit inside a single gang box (not included)
- Membrane switch and wall plate clean easily and resist common cleaners and disinfectants

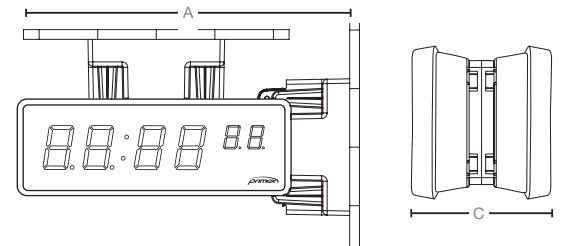
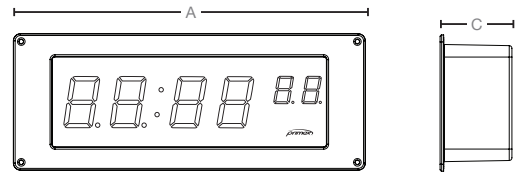
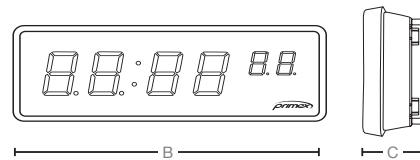
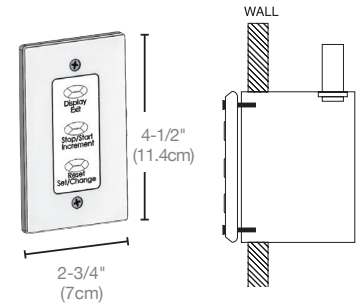
TIMER DIMENSIONS				
Clock Type	Weight	Height	Width	Depth
		A	B	C
2.5" (6.4cm), 6-digit	2.0 lbs. (0.9 kg)	5.0" (12.7cm)	13.8" (34.9cm)	2.2" (5.6cm)
4" (10.16cm), 6-digit	4.6 lbs. (2.1 kg)	8.0" (20.3cm)	23.3" (59.2cm)	2.4" (6.1cm)

FLUSH-MOUNT TIMER DIMENSIONS				
Clock Type	Weight	Width	Height	Depth
		A	B	C
2.5" (6.4cm), 6-digit	2.0 lbs. (0.9 kg)	16.8" (42.7cm)	6.5" (16.5cm)	3.4" (8.6cm)

When ordering for new construction projects, the junction boxes for flush-mount installation may be ordered to ship in advance of clocks. Please request special shipping and provide dates when ordering.

DUAL-MOUNT DIMENSIONS			
Clock Type	Width from Wall	Height from Ceiling	Depth of Two Clocks
	A	B	C
Dual 2.5" (6.4cm), 6-digit	16.8" (42.7cm)	8.0" (20.3cm)	5.9" (15.0cm)
Dual 4" (10.16cm), 6-digit	26.3" (66.8cm)	11.0" (27.9cm)	6.3" (16.0cm)

Note: Dual mount clocks are shipped disassembled to simplify installation.



To Learn More:  
Call 800.537.0464  
Email: info@primexinc.com

primexinc.com